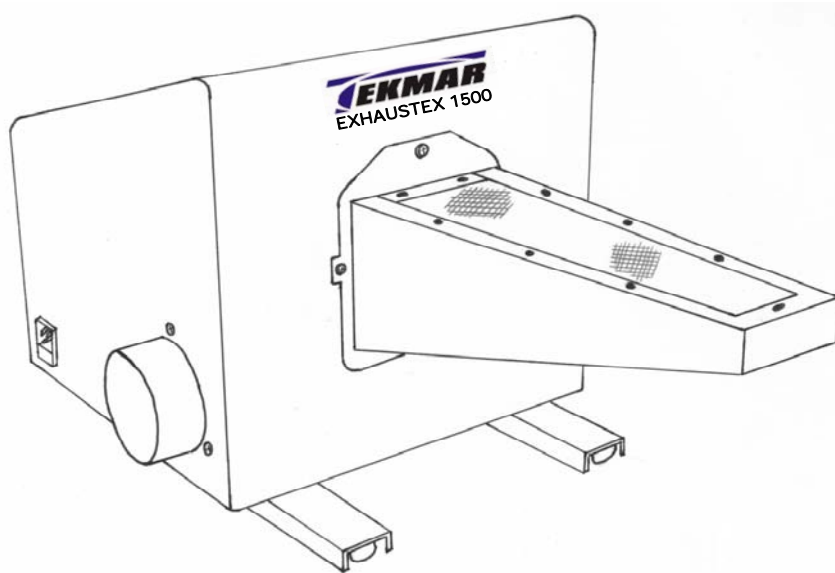




EXHAUSTEX 1500



OPERATING AND SAFE USE
INSTRUCTIONS

EXHAUSTEX 1500

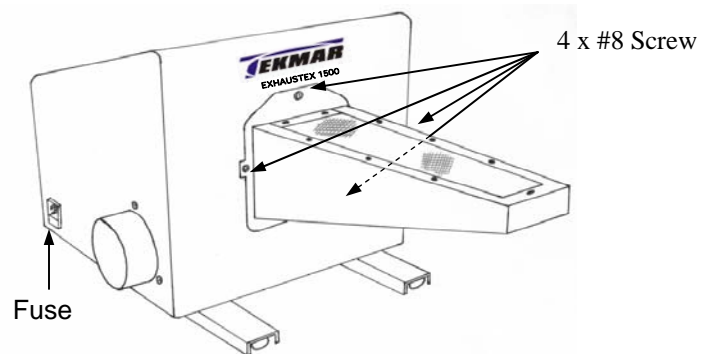
Congratulations , you have just purchased one of the finest spot cleaning exhaust stations available today. It is manufactured in the USA using the best available materials and parts, to TEKMAR's high quality Standards. When used as directed it should provide years of trouble free service.

PARTS LIST

1	EXHAUSTEX 1500
4	8-32 x 3/8" Screws
1	8 ft Exhaust Hose & Clamp
1	Power Lead
1	Spray Gun Adapter Lead - US Models Only
1	Spray Gun Adapter Plug - non US Models Only

INSTALLATION AND SET UP

The EXHAUSTEX 1500 comes fully assembled except for the attachment of the cleaning arm. Remove the unit from the box and place on work surface. Keep the packaging in case the unit ever needs to be returned for service. The arm is installed using the 4 x # 8 screws. Attach the supplied hose to the rear round exhaust duct using the hose clamp provided.



Plug the power cord end into the EXT1500 power inlet. The other end should be plugged into a grounded receptacle. International 230v units will require an appropriate plug to be installed on the bare wire ends. The Spray gun adapter can be used with any US style plug (always check that gun electrical requirements match the EXT1500 and local voltage) 230v models are supplied with an adapter plug that can be wired onto the spray gun. Please note that the EXT1500 does not have a transformer. The supply voltage will flow through to the spray gun convenience outlet.

SAFE OPERATING INSTRUCTIONS

This unit is an industrial piece of equipment not intended for domestic use. It's design incorporates a high power blower unit that could cause injury if modified or mis-used.

Never spray flammable solutions through unit.

Only operate the unit with exhaust hose attached.

Always check electric cord for damage prior to use.

Disconnect power before servicing unit.

Use only authorized replacement parts, do not attempt temporary repairs.

SAFE OPERATING INSTRUCTIONS– Cont.

The unit should be located in a convenient place in your shop. It is desirable to exhaust the unit to the outdoors using a laundry dryer type vent. If this is not possible then direct the hose onto the floor away from the operator and other persons. ***Do not exhaust the unit into the vent pipe of a dryer or other similar piece of equipment. This can cause dangerous fumes to flow back through the unit.***

INSTRUCTIONS FOR USE

The EXHAUSTEX 1500 should be switched on using the master switch located on the back of the unit. Place the item to be cleaned on the cleaning screen and conduct the cleaning operation. The unit should be left running during and after the cleaning process, to ensure that all the chemical is evaporated. It is safe to leave the unit running for extended periods of time, as the motor has a built in cooling fan.

Never use this unit for any other purpose other than that of an exhaust station for spot cleaning. It is not an air cleaner and does not provide a source of clean air.

CARE AND MAINTENANCE

There is no regular or routine maintenance required for the EXHAUSTEX 1000. Should the unit at any time lose power check that the exhaust hose is free from obstructions and is not crushed or damaged.

After an extended period of use (normally 6 months to a year) It may be necessary to “de-lint” the blower unit. This is a very simple operation that takes about 5 minutes.

1. Disconnect unit from power.
2. Remove the exhaust hose from the unit.
3. Remove the exhauster arm.
4. If the “squirrel cage” blower unit has lint build up, scrape off using a screw driver.
5. Once clean, refit the arm onto the unit.
6. Place a trash bag over the exhaust duct and hold it on with your hand.
7. Plug the unit back in and switch on until all of the lint has been blown out of the unit
8. Reattach the hose.

Never place anything in the exhaust duct while the unit is running

The EXT1500 is equipped with a fuse to protect the electrical circuit. Should the unit ever stop working, check the fuse. This is located at the bottom of the power inlet. A replacement fuse is provided in the fuse holder. Only use the correctly rated type of fuse- 5mm x 20mm 6.3 amp 230v

REPLACEMENT PARTS

Replacement parts are available directly from Tekmar or through your local distributor.

Screen replacement is very simple.

1. Disconnect unit from power
2. Remove the exhauster arm from the unit.
3. Remove the 9 screen clamp screws from the exhauster arm.
4. Slide the arm off the screen clamp bracket
5. Remove the damaged screen from the arm and replace it with the new part.
6. Replace the screws in the reverse order of above
7. Refit arm to unit

For more information please contact

CUSTOMER LINE (800) 564 1096
www.tekmarltd.com

TEKMAR™

TECHNICAL MARKETING LTD.
P.O. BOX 4700
SANTA BARBARA, CA. 93140
TEL (805) 965 0704 FAX (805) 963 7794