

Owner's Manual

SD-10



Table of Contents



| | |
|------------------------------------|----|
| I. Introduction | 3 |
| II. Safety Procedures | 4 |
| III. Assembly | |
| Step 1: Uncrating | 5 |
| IV. Operations | 6 |
| V. Parts List | 9 |
| VI. Wiring Diagram | 10 |
| VII. Limited Warranty | 11 |



Congratulations on your purchase of the SD-10.

Check the crate for damages. DO NOT accept the crate if there are any damages caused by improper handling during shipping. Immediately report any damages to the carrier and contact Workhorse Products at, 800-778-8779.

Be sure to inspect the crate contents IMMEDIATELY, while the carrier is still present. Even though our packaging has been designed to handle normal shipping conditions, we cannot foresee damages done by the carrier. We will not be responsible for damages that occur during transportation.

If there are damages immediately notify the driver, file a claim with the carrier and call Workhorse Products.

The Importance of the Owner's Manual:

The purpose of the Owner's Manual is to familiarize you with the parts and operations of SD-10. There are step-by-step instructions to assemble the product, explanations of the product's key features, and additional information that will help with the maintenance of the product.

Safety Procedures



WARNING!

RISK OF ELECTRICAL SHOCK! Turn ALL power to unit OFF before service.
All service should be done by or under the supervision of a trained technician.



To ensure safe and reliable operation of your SD-10 unit, all personnel should be thoroughly trained on the following procedures:

1. For your safety, do not store or use gasoline or other inflammable vapors and liquids in the vicinity of machine or within 3 feet (1 meter) of this or any other appliance.
2. **NEVER** alter the internal wiring of this machine.
3. Ensure all outlets used are sufficiently grounded and never plug in a frayed or damaged cord.
4. Do not use this unit if it has become wet or while standing in water.
5. Disconnect power prior to servicing the unit.



THIS ELECTRIC SCREEN DRYING UNIT IS INTENDED SOLELY FOR THE PURPOSE OF DRYING EMULSION ON SCREENS. THIS SCREEN DRYING UNIT IS NOT INTENDED FOR USE IN HEATING, CURING OR BAKING OF ANY OTHER MATERIALS WHATSOEVER. THIS SCREEN DRYING UNIT IS INTENDED FOR IN-DOOR USE ONLY.

THE EXCLAMATION WITHIN AN EQUILATERAL TRIANGLE IS INTENDED TO ALERT THE USER OF IMPORTANT SAFETY PRECAUTIONS SHOP PERSONNEL SHOULD BE AWARE OF DURING OPERATION.

Step 1: Uncrating

1. The SD-10 is shipped fully assembled.



2. Remove the side rails first followed by the rest of the outer frame.

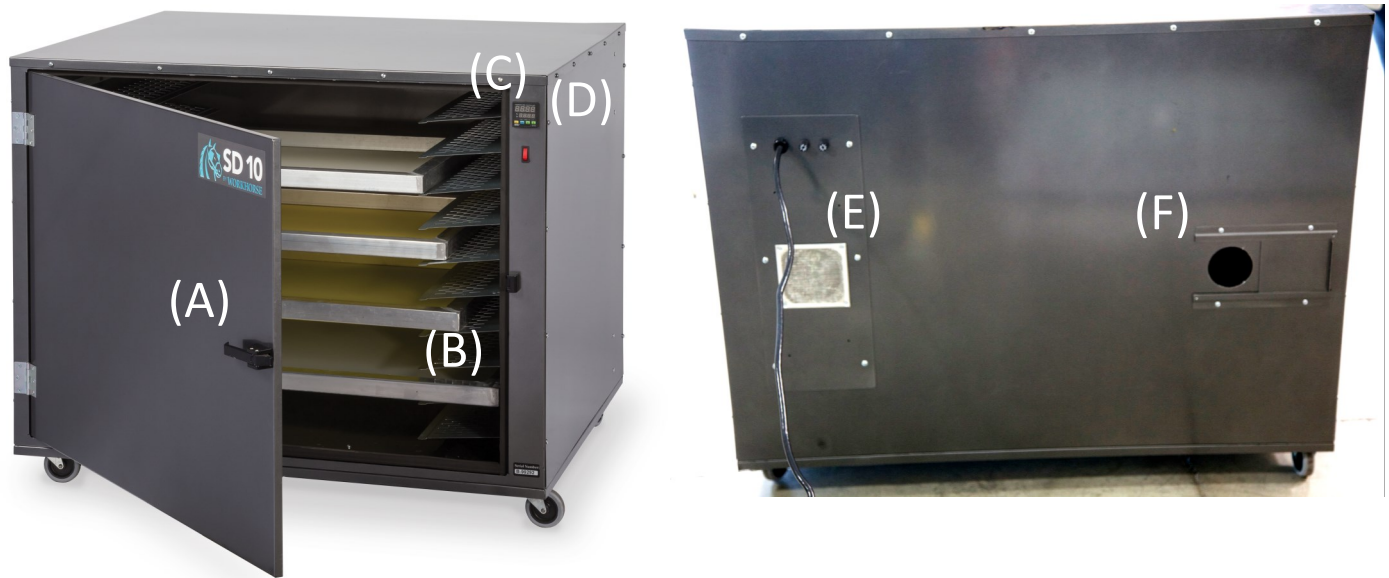


3. With two people lift the SD-10 and place it into the desired location. Cut the banding and remove all of the plastic wrap. Plug the unit into a grounded wall outlet.

Congratulations! The SD-10 is now ready to use.



Operation



(A) Door Latch

(B) Shelves

(C) Controls

(D) Electronics Access Panel

(E) Air Intake Filter

(F) Air Baffle

Operation



Operating the SD-10 is very simple. Open the door, load the screens, close the door and turn on the power.

The combination of gentle heat and moving air evaporates the moisture from the screens at a significantly faster rate than ambient air. The cabinet also prevents dust and particles from contaminating the screens.



Shelves

The SD-10's unique shelving design allows for different screen sizes to be loaded at the same time. Displayed to the right are 20"x 24", 23"x 31" and 25"x 36" size screens all loaded at the same time. The tapered and perforated shelves support the screens on their edges while avoiding contact with the wet emulsion. The perforations allow air to flow to the very edge of each screen frame.



Air Baffle

The sliding door located on the back of the unit serves two purposes.

First, the Air Baffle is used to control the volatility of air flow within the drying chamber. The highest air flow occurs when the Air Baffle is completely shut. Opening the Air Baffle reduces the pressure within the chamber creating a gentle air flow.

Second, the Air Baffle allows moisture to escape the chamber. This is important for high humidity regions. Opening the Air Baffle will eliminate the moisture and dry the screens faster.

The image to the right is a common placement for the Air Baffle.



Air Intake Filter

The Air Intake Filter covers the port where the air is drawn into the heating chamber. This filter prevents dust, lint and other particles from contaminating the screens within the drying cabinet. The Air Intake Filter should be inspected and cleaned on a monthly basis for optimal performance.



Temperature Control Module

The SD-10 is equipped with a micro processor based Temperature Control Module. Many emulsions are heat sensitive and react adversely to excessive heat. Most emulsion manufacturers suggest a heat range of 90 degrees to 105 degrees Fahrenheit.

To adjust the temperature press the yellow set button until the digit on the right begins to blink. Use the blue button to move the cursor to the left to reach the desired digit to be changed. Then use the green arrow buttons to increase or decrease the temperature. When the temperature is set use the yellow set button to save the setting.



Temperature Control Access Panel

Do not remove the Temperature Control Access Panel unless instructed to do so by Workhorse Technical Support. Adjustment of the Temperature Control Module should only be necessary when service is required. Do not remove the Temperature Control Access Panel while the SD-10 is powered.



Parts List



Parts List SD-10 115 Volt Unit Only.

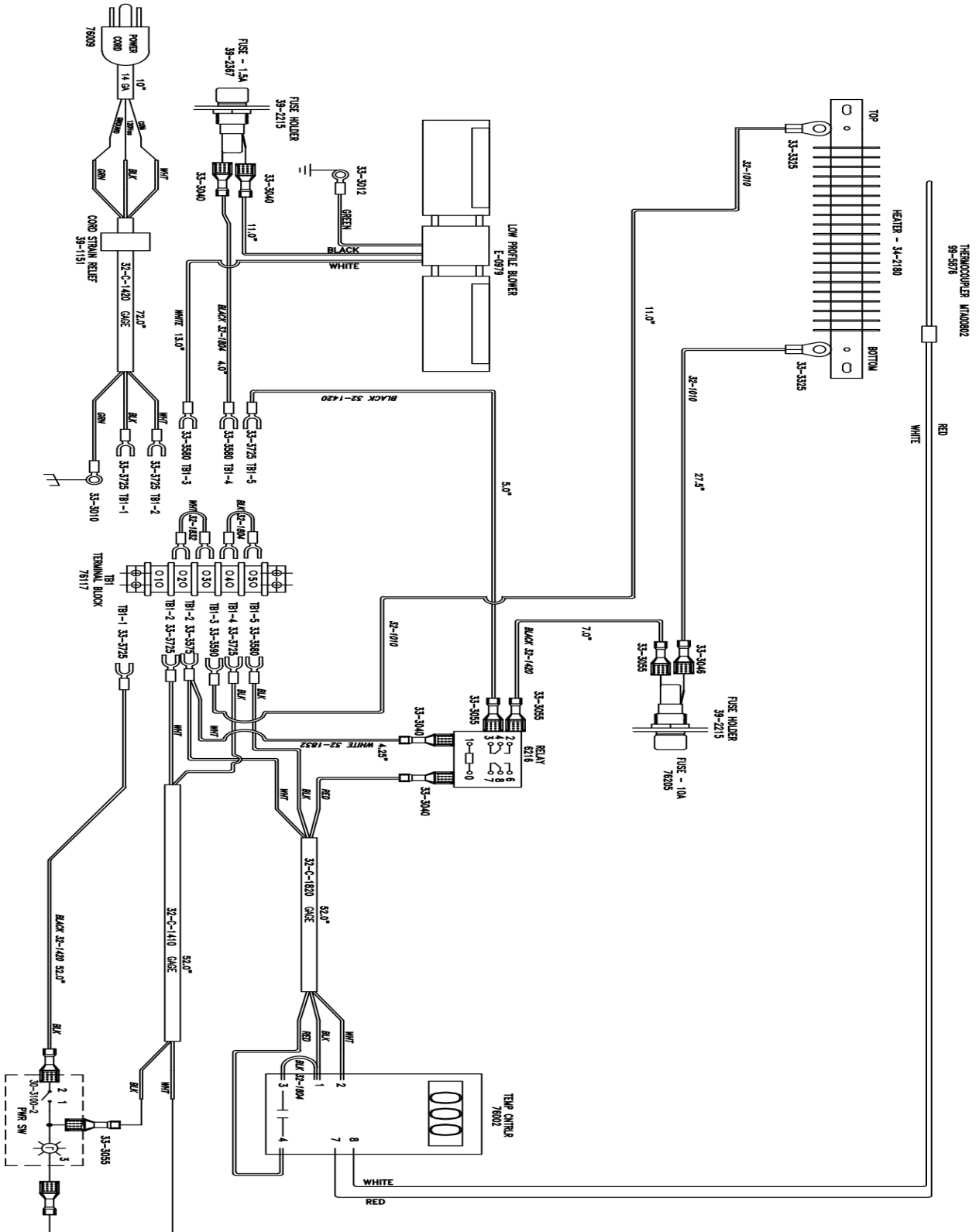
| | | |
|-----------|---------------------|---|
| 99-5876 | Thermo Couple | 1 |
| 34-2180 | Air Heater | 1 |
| E-0979 | Blower Assm | 1 |
| 76002-SD | Temperature Control | 1 |
| 30-3100-2 | Power Switch | 1 |
| 6216 | Relay | 1 |
| 76009 | Power Cord | 1 |
| 39-2215 | Fuse Holders | 2 |
| 76205 | 10 amp Fuse | 1 |
| 39-2367 | 1.5 amp Fuse | 1 |
| 76117 | Term. Block | 1 |
| 53-1230 | Casters | 4 |
| 10-21-009 | Air Intake Filter | 1 |

For more extensive parts and trouble shooting help with ANY Workhorse Product please visit our on-line Parts store and

Support Center at:

<http://support.workhorseproducts.com/store/>

Wiring Diagram



Limited Warranty



Although every effort has been made to provide accurate specifications, Workhorse Products does not assume any liability for damages, whether consequential or incidental, that may result from the use or misuse of the indicated specifications. Workhorse Products requires the use of a licensed industrial electrician for the installation of electrical service to equipment requiring electrical power.

Workhorse Products reserves the right to alter specifications in the manufacture of its products. It is understood and agreed that Seller's liability for any equipment whether liability in contract, in tort, under any warranty, in negligence, in strict liability or otherwise shall not exceed the return of the amount of the purchase price paid by Buyer. Notwithstanding the foregoing provision, under no circumstances shall Seller be liable for special, indirect or consequential damages. The price stated for the equipment is a consideration in limiting Seller's liability. No action regardless of form, arising out of the transactions under this Agreement may be brought by Buyer more than one (1) year after the cause of action has occurred. Our warranty is specified is exclusive and no other warranty, whether written or oral, is expressed or implied. Workhorse Products specifically disclaims the implied warranties of merchantability and fitness for a particular purpose. Equipment manufactured or sold by Workhorse Products is warranted against defects in workmanship and materials for a period of one year from receipt by customer. All warranties initiate from date of shipment to original customer. Replacement parts are covered for the term of the equipment warranty period. Parts not under warranty are covered for thirty (30) days from receipt by customer. Any part found by Workhorse Products to be defective in material or workmanship within the stated warranty period will be replaced or repaired at Workhorse's option without charge.

AFTER OBTAINING AN RMA# SEND RETURNED FREIGHT PREPAID TO 3730 E. Southern Avenue, PHOENIX, AZ 85040 USA.

Written authorization must be obtained from Workhorse before any part will be accepted. Replacement parts are sent out freight collect.

Parts sent out prior to receiving defective require a credit card hold for cost plus freight. Upon return of defective part, if it is deemed that the part was not damaged by customer but failed, the cost of the replacement part will be refunded.

This warranty does not extend to expendable parts such as filters, fuses, elements and brushes. Workhorse does not warrant failure of parts or components resulting from misuse or lack of proper maintenance. Installation, inspection, and

| Registration Form | |
|-------------------------|----------------------|
| Company Name: _____ | Contact Name: _____ |
| Address: _____ _____ | Phone Number: _____ |
| City: _____ | Fax Number: _____ |
| State: _____ | Email : _____ |
| Country: _____ | Cell Number: _____ |
| Zip Code: _____ | Serial Number: _____ |
| Model Number: _____ | Date Recivied: _____ |
| Date Purchased _____ | |

Please Fax Registration Form for warranty to take place